

# 1-140 Quarter-Turn with T-Handle Pr20.1 L18

Hand operable with T-handle with or without key, IP65, Optional pre-assembly

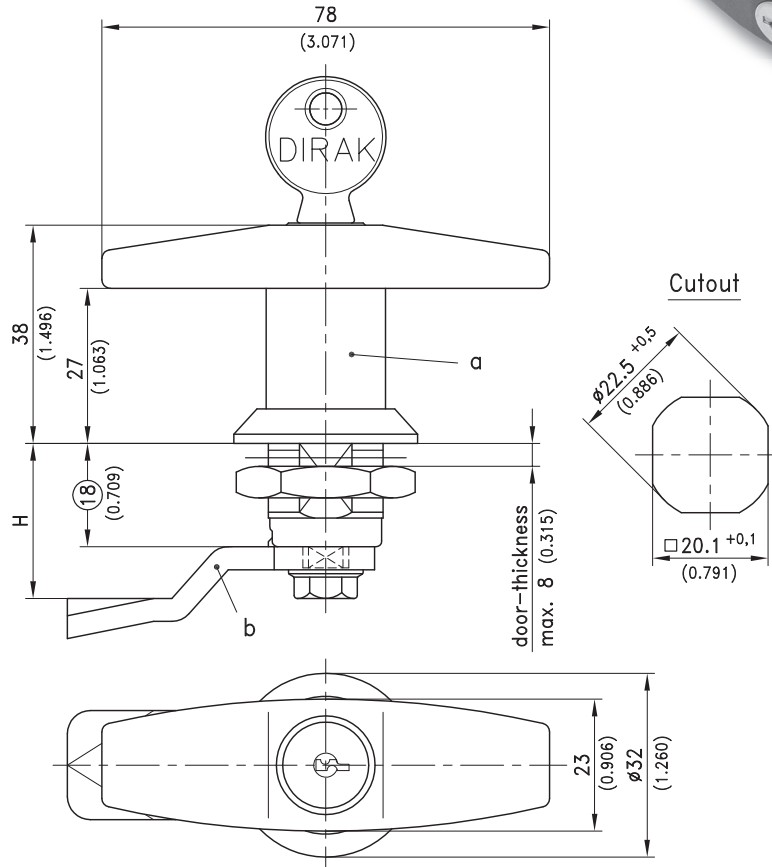
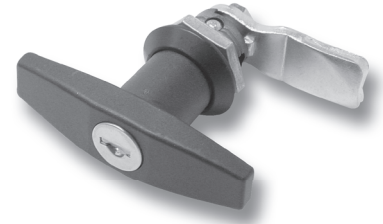


## Product Notes:

- Water and dust tight according to IP65, DIN EN 60529
- Components can be pre-assembled by DIRAK upon request
- RH and LH application
- Pre-assembled Quarter-Turn can be installed in cutout
- Stainless steel - see Product System 7-090

## Material:

- **T-handle:** PA, Black with Zinc Die Core or Zinc Die, Chrome Plated or Black
- **Cam:** Steel, Zinc Plated



a) Quarter-turn with T-handle	PA with Zinc Die Core	Zinc Die Chrome Plated	Zinc Die Black	See Page
<b>With plain grounding nut</b>				
Non locking	200-9307	200-9319	200-9331	
Keyed alike DIRAK 1333*	200-9308	200-9320	200-9332	
Keyed alike DS200*	500-9308	500-9320	500-9332	
Keyed different	200-9309	200-9321	200-9333	
PAGODA keyed alike	-	501-9320	501-9332	
PAGODA keyed different	-	501-9321	501-9333	
b) Cam/3-point cam				01.101, 01.102
<b>Please order separately:</b>				
c) Assembling of cam	200-0001	200-0001	200-0001	
Assembling cam 90° to handle without O-ring	200-0019	200-0019	200-0019	
<b>All lockable handles supplied with two keys.</b>				
<b>Stainless steel version</b>				<b>01.70</b>

\* with stainless dust-shutter